

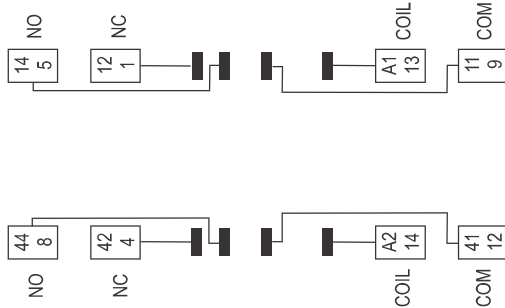


S12LD

Only
28.7 mm
WIDE

**Socket DIN Rail or Panel Mountable
for P12 2C/O Relays**

Wiring Diagram

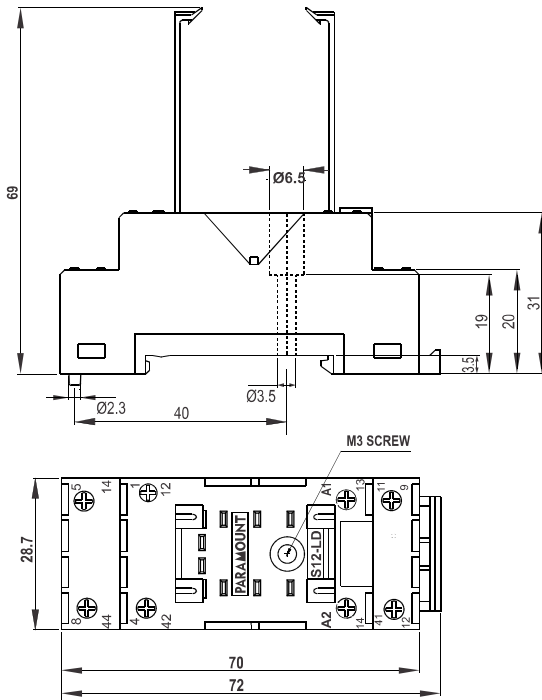


Specifications

Poles	2 Change Over Contact
Nominal load :	10A / 250 VAC
Insulation: Di-electric strength, 1minute	
Between contact and coil	2.5 KV
Between all terminals and DIN Rail	.25 KV
Between adjacent terminals	2.5 KV
Weight Approx.	61 gms.

Dimensions

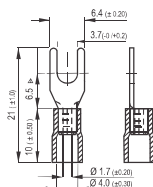
in mm.



Other Aspects

- DIN Rail / Panel Mountable
- EN / DIN Sequential Numbering according to EN 60947 & IEC 61810
- Integrated Relay Hold Down Clip
- Removable White Marking Label
- Hard Brass Tin Plated Terminals
- Brass Tin Plated Screw

Accessories



Fork / C type crimped Terminal used for wire connection

Accessories

Fork / C - Terminal for Wire connection

Suitable Relays : P12 , P12M

Approvals

